

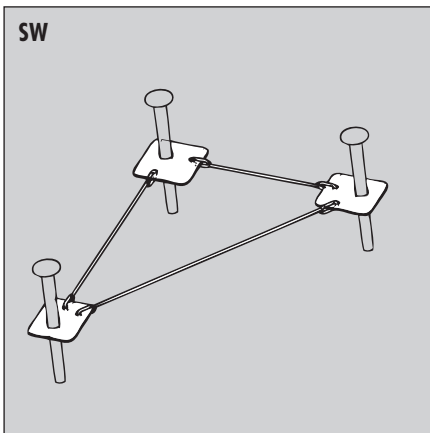
Safety Steel Strap Scissors SSS

For cutting steel straps safely. When cutting, the ends of the straps are held securely by a special clamping system.

► The sharp-shaped design of the lower blade means it is easy to place the SSS even under very tight steel straps.

► No more dangerous steel-straps snapping around.

Type	Dead Weight kg (lbs)	Order-Number
SSS	0.9 (2.0)	5180.0013



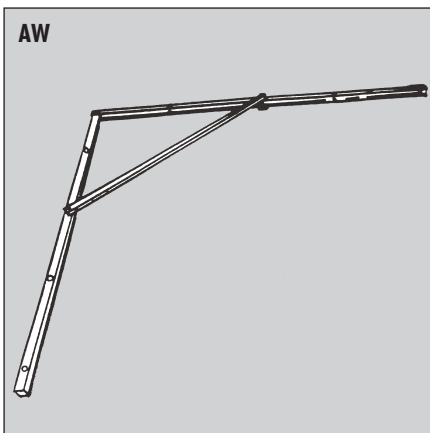
Rope angle SW

Simple and compact tool to lay out a 90° right angle, using three sticks mainly for paver laying purposes.

Large measurements 3,000 mm x 4,000 mm x 5,000 mm (118" x 157" x 197") allow very precise layout of the 90° right angle.

► Standard sticks with maximum diameter 20 mm can be used. (Sticks not included in the tool).

Type	Dead Weight kg (lbs)	Order-Number
SW	1 (2.2)	5180.0035



Aluminium Angle AW

Adjustable to 45°, 60° and 90°.
Can also be adjusted to angles in between.
Foldable, length: 2,000 mm x 2,000 mm.

Type	Dead Weight kg (lbs)	Order-Number
AW	6.5 (14)	5180.0018