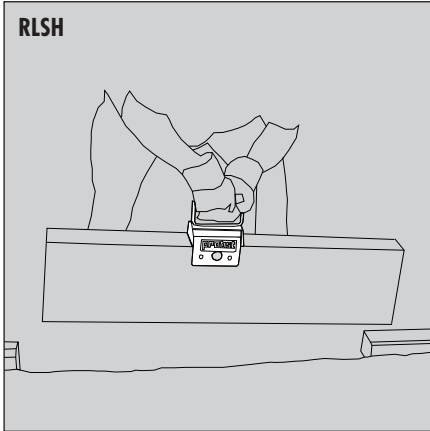


RLSH



Kerb and Strip Stone handle RLSH

The perfect and clever handle for small kerbs and strips. Easy handling features quick, efficient and safe laying.

Lifting and laying of stones in ergonomic posture.

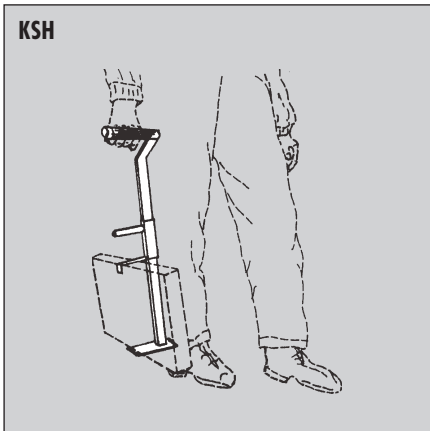
- ▶ compact size and und little dead weight
- ▶ easy jamming and release by just twisting the handle

▶ LSH 80 – suitable for kerb and strip stones with a width of 80 mm (3.15 inch)

▶ LSH 120 – suitable for kerb and strip stones with a width from 60 to 120 mm (from 2.36 to 4.72 inch)

Type	for Width of Stones mm (in)	Carrying Capacity kg (lbs)	Dead Weight kg (lbs)	Order-Number
RLSH 80	80 (3 1/4")	80 (175)	2,5 (5)	5320.0091
RLSH 120 uni	60 – 120 (2 1/4" – 4 3/4")	80 (175)	3,0 (7)	5320.0092

KSH



Kerb Slab Lifter KSH

For transporting lawn edging stones, slabs, etc. The device grips the slab from underneath while at the same time the gripper bar at the top prevents the slab from slipping off.

- ▶ Universally suitable for all kerb slabs up to

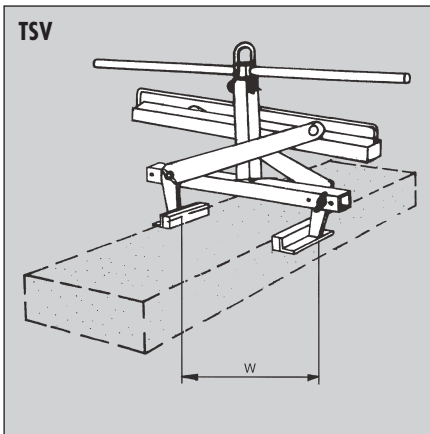
400 mm in height and 40 mm to 100 mm thickness.

▶ We recommend using these in pairs when lifting parts of 1 m in length.

- ▶ Galvanised finish

Type	Gripping Range W mm (in)	Inside Height E mm (in)	Gripper Length L mm (in)	Carrying Capacity kg (lbs)	Dead Weight kg (lbs)	Order-Number
KSH	40 – 100 (1 1/2 – 4")	170 – 400 (6 3/4 – 15 3/4")	50 (2")	60 (130)	1.3 (3)	5320.0080

TSV



Concrete Step Handles TSV

Universal handles due to a large adjustable opening range. Suitable for steps, kerbs, L-stones, etc.

Standard Specifications:

- ▶ Lifting eye for attaching to crane hook.

- ▶ Carrying handle

▶ Carrying handle turnable by 90° according to the working space.

- ▶ Exchangeable rubber grippers

- ▶ Galvanised finish

Type	Gripping Range* W mm (in)	Inside Height E mm (in)	Gripper Length L mm (in)	Carrying Capacity kg (lbs)	Dead Weight kg (lbs)	Order-Number
TSV	70 – 500 (2 3/4 – 19 3/4")	125 (5")	200 (7 3/4")	250 (550)	18 (39)	5310.0130

Concrete Step Handles TSZ-uni

Suitable for handling steps, kerb stones, L-stones, etc. in conjunction with a lifting device. Easily adjustable opening width by means of a spring-loaded bolt.

- ▶ Considerable inside height

Conical kerb stones are also gripped securely, as the gripper has an inside height of 180 mm thus being able to grip underneath the conical form.

Standard Specifications:

- ▶ Lifting eye for attaching to crane hook.

▶ Automatic release for fully automatic switch-over from "full" to "empty".

- ▶ Exchangeable rubber grippers

- ▶ Galvanised finish

Type	Gripping Range* W mm (in)	Inside Height E mm (in)	Gripper Length L mm (in)	Carrying Capacity kg (lbs)	Dead Weight kg (lbs)	Order-Number
TSZ-uni	50 – 600 (2 – 23 1/2")	185 (7 1/4")	350 (13 3/4")	600 (1,320)	29 (64)	5310.0338
Adjustable Height Stop HVA-FTZ-uni/TSZ-uni, pair adjustable range approx. 140 - 255 mm (5 1/2 – 10")						4310.0867

*Gripping range indicates the minimum and maximum pack measurements of building materials, which can be picked-up with this grab.