

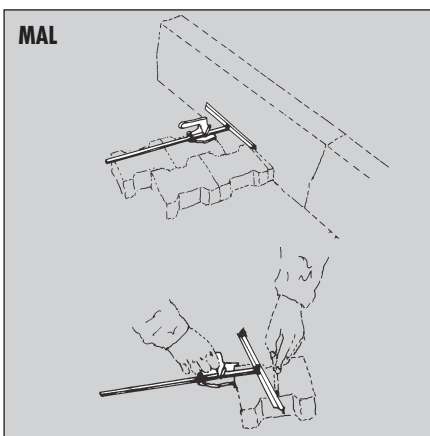
QUICKDRAW QD

A clever paver-marking tool for concrete and paving stones.

- ▶ No problems with the marking of distances of kerbstones, walls, etc. for later stone cutting.
- ▶ 400-600 % time saving with marking works.
- ▶ Especially effective with soldier course.

- ▶ Tough construction made of aluminium and stainless steel.
- ▶ Roller guide for quick and accurate marking.
- ▶ Set includes wax crayon and felt crayon.

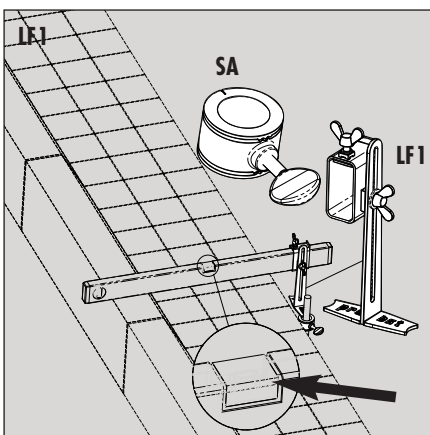
Type	Dead Weight kg (lbs)	Order Number
QD	1.8 (4)	5180.0034



Measuring and Marking Tool MAL

An essential aid for the exact measuring and marking of lengths and angles on pavers.

Type	Dead Weight kg (lbs)	Order-Number
MAL	0.5 (1.1)	5180.0026



LEVEL FIX LF 1

Who has not thought this before: Two hands are not enough for some type of work, one should have three hands.

If for example marks for the correct height should be transferred in relation of the kerb level to string line pins (stakes) for installation of gutter pavers, the LEVEL FIX LF 1 replaces this third hand completely.

This simple but effective tool is fixed to any standard level by sliding it onto the required

position and clamp it tight without leaving marks on the level. Now the measurement, how much deeper the gutter block should be installed in relation to the kerb level is set on the LF 1. Now everybody can mark the right height onto the string line pins with pen or similar by just paying attention to have the level in the leveled position.

Afterwards the string line can be pulled along the pins in the correct height.

Type	Height between level and marking part mm (in)	Suitable for level profile mm (in)	Order-Number
LF1	5 – 150 (1/4" - 6")	50 x 25 (2" x 1")	5180.0044

STRING ALONG SA

Even more easy in this case it would be to use the STRING ALONG SA. Then even the marking of the pins is not needed any more, just slide the SA over the pin, tuching the LF 1 height measure and tighten the thumb screw. Done. Now the string line can be pulled around the SA and the gripping teeth will hold the string line in place at any time.

Generally the SA can be used for all kind of layouts where string lines are used, especially beneficial if the string line has to be taken away temporarily and repositioned afterwards at the same position.

- ▶ Gripping teeth hold the string line safely under tension at any time.
- ▶ No more string line knots, or confusing marks on the pins.
- ▶ Comes in a bag, 12 collars.

Type	Height between level and marking part mm (in)	Suitable for level profile mm (in)	Order-Number
SA	suitable for pin diameters 10 – 25 mm (1/2" – 1")	1 bag contains 12 collars	5180.0047