

PAVER BOY PB

For the efficient laying of paving blocks directly from the stack.

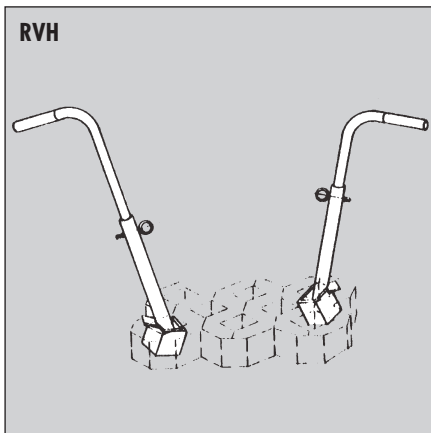
Particularly suitable for large blocks.

► Ergonomical working position.

With the **PB I**, two double-T-stones can be picked up and then layed at the same time.

With the **PB 15/24** hexagonal slabs and similar blocks which cannot be lifted with one hand, can be laid.

Type	Gripping Range W mm (in)	Carrying Capacity kg (lbs)	Dead Weight kg (lbs)	Order-Number
PB I	100 – 170 (4 – 6 ³ / ₄ "	10 (22)	1 (2.2)	5180.0001
PB 15/24	150 – 240 (6 – 9 ¹ / ₂ "	10 (22)	1 (2.2)	5180.0004



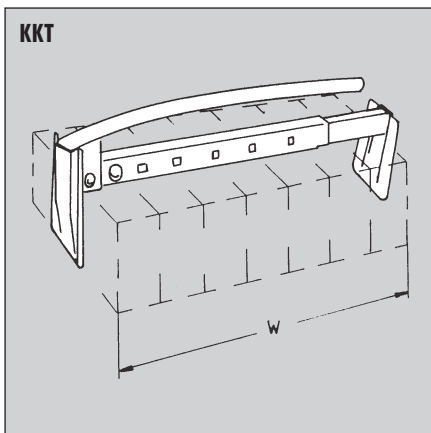
Turf Stone Handles RVH

Used in pairs and designed specially for laying turf stones.

► Suitable for hollow sections measuring approx. 100 mm x 100 mm (4 x 4").

► Other sizes on request.

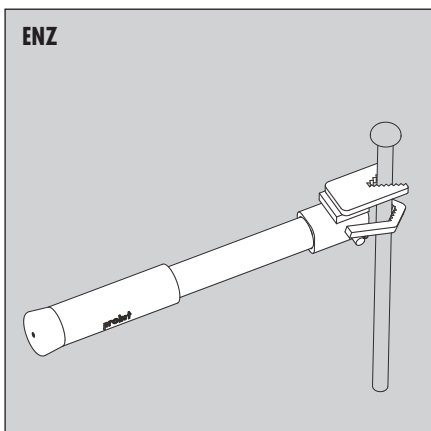
Type	Dead Weight kg (lbs)	Order-Number
RVH (Pair)	3 (6.5)	5180.0021



Brick Handles KKT

For the efficient transportation of bricks from the pallet to the laying surface. Adjustable.

Type	Gripping Range W mm (in)	Carrying Capacity kg (lbs)	Dead Weight kg (lbs)	Order-Number
KKT	400 – 670 (15 ³ / ₄ – 26 ¹ / ₂ "	50 (110)	1.5 (3.2)	5180.0025



Pin Extractor ENZ

Simple but very efficient tool to pull out string line pins used on construction sites.

The previous time consuming and often injuring method, to pull out pins just by hand or using pliers, hammer and such are gone now.

► Suitable for all pin diameters between 10 mm and 30 mm.

► Without using the ENZ, pins often get bent. Simply the straightening of 50 pins costs more than the Pin Extractor itself!

► When lifted up, the V shaped clamping system locks to the pin. Now pulling and turning movements to loosen the pin can be exerted without any real physical effort.

Type	Suitable for Diameters mm (in)	Dead Weight kg (lbs)	Order-Number
ENZ	10 – 30 (1/2 – 1 1/2)	0.8 (2)	5180.0038