

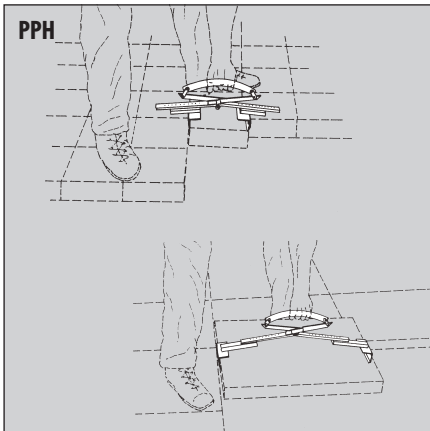
Laying Clamp for retaining wall units RWC

Several retaining walls can be picked up and laid at the same time by this universal clamp. Depending on the size of the blocks, 4-8 blocks can be picked up at the same time (length of gripper 2,150 mm). Even split blocks which vary in width up to 25 mm can be securely gripped due to the use of a very special gripper which adapts perfectly to surface.

Standard Specifications:

- ▶ Lifting eye for attaching to crane hook.
- ▶ Handles to guide the clamp.
- ▶ Automatic release for the fully automatic switch-over from "full" to "empty".
- ▶ Special gripper to adapt to variable sizes of blocks.

Type	Gripping Range* W mm (in)	Inside Height E mm (in)	Gripper-Length L mm (in)	Carrying Capacity kg (lbs)	Dead Weight kg (lbs)	Order-Number
RWC 25/61-11-215	250 – 610 (9 ³ / ₄ – 24")	110 (4 ¹ / ₄ ")	2,150 (85")	300 (660)	210 (460)	5310.0274



Profi-Slab Handle PPH

For laying concrete and natural stone slabs.

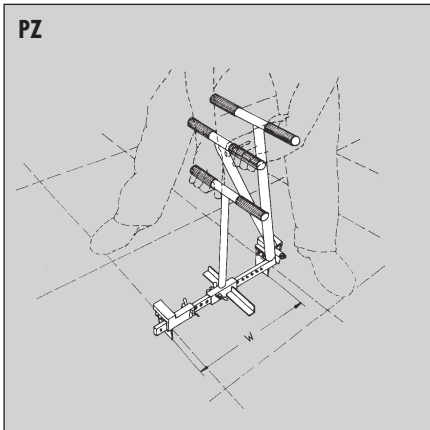
Large adjustable range for all slabs.

- ▶ With large leverage

- ▶ Very stable professional design.
- ▶ Galvanized finish
- ▶ Exchangeable grippers

Type	Gripping Range* W mm (in)	Carrying Capacity kg (lbs)	Dead Weight kg (lbs)	Order-Number
PPH 7/37	70 – 370 (2 ³ / ₄ – 14 ¹ / ₂ ")	60 (130)	1.5 (3.2)	5320.0053
PPH 19/50	190 – 505 (7 ¹ / ₂ – 20")	60 (130)	1.5 (3.2)	5320.0052
PPH 30/62	300 – 620 (10 – 24")	60 (130)	1.5 (3.2)	5320.0054
PPH-S 7/62	70 – 620 (2 ³ / ₄ – 24")	60 (130)	3 (7)	5320.0055

PPH-S comes as a set with a basic unit and 3 sets of grippers.



Slab Extractor PZ

For extracting single slabs, it has a robust construction so that the blades can be hammered into the joints.

- ▶ **New: Locking Device!**

The operator does not need to continually squeeze the SZ-handles together!

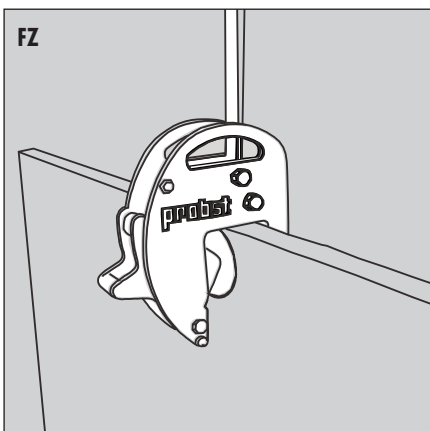
Adjustable without tools from 200 – 610 mm. Complete with easily exchangeable high-quality-special double spring-steel blades.

- ▶ Galvanized finish

Type	Gripping Range* W mm (in)	Carrying Capacity kg (lbs)	Dead Weight kg (lbs)	Order-Number
PZ	200 – 610 (7 ³ / ₄ – 24")	70 (155)	6 (13)	5320.0006

See page 1.17 for the paving block extractor SZ

* Possible distance between the grippers. The product measurements must be within approx. ± 30 mm of the stated range.



Flat Grab FZ

FZ for transport of slabs.

- ▶ Narrow grippers turn standing slabs or erect laying slabs.
- ▶ No problem to grip even tight standing slabs.
- ▶ No damage to the surface of the slabs due to gentle handling with rubber grippers.

- ▶ High security by enormous transmission of 5:1.
- ▶ A spring tension prevents from unintentional slipping off the clamp.
- ▶ Lifting band instead of chain or rope: low dead weight, no squeezing, no hurts.
- ▶ Suitable for nearly all kinds of material.

Type	Gripping Range* W mm (in)	Carrying Capacity kg (lbs)	Dead Weight kg (lbs)	Order-Number
FZ	0 – 60 (0 – 2 ¹ / ₂ ")	800 (1,760)	6 (13)	5310.0278

*Gripping range indicates the minimum and maximum pack measurements of building materials, which can be picked-up with this grab.